

Name: \_\_\_\_\_ Date: \_\_\_\_\_ Event: \_\_\_\_\_ Track: \_\_\_\_\_

**Track Conditions**

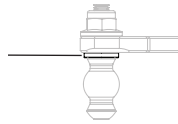
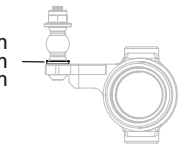
<input type="checkbox"/> Indoor	<input type="checkbox"/> Tight	<input type="checkbox"/> Smooth	<input type="checkbox"/> Hard Packed	<input type="checkbox"/> Blue Groove	<input type="checkbox"/> Wet	<input type="checkbox"/> Low Bite	<input type="checkbox"/> High Bite
<input type="checkbox"/> Outdoor	<input type="checkbox"/> Open	<input type="checkbox"/> Rough	<input type="checkbox"/> Loose/Loamy	<input type="checkbox"/> Dry	<input type="checkbox"/> Dusty	<input type="checkbox"/> Med Bite	<input type="checkbox"/> Other

**Front Suspension**

Ride Ht	
Camber	
Toe	
Sway Bar	
Notes:	

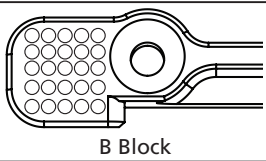
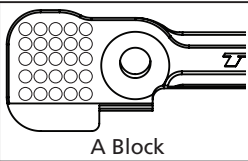
- 0mm
- 1mm
- 2mm

- 2mm
- 3mm
- 4mm



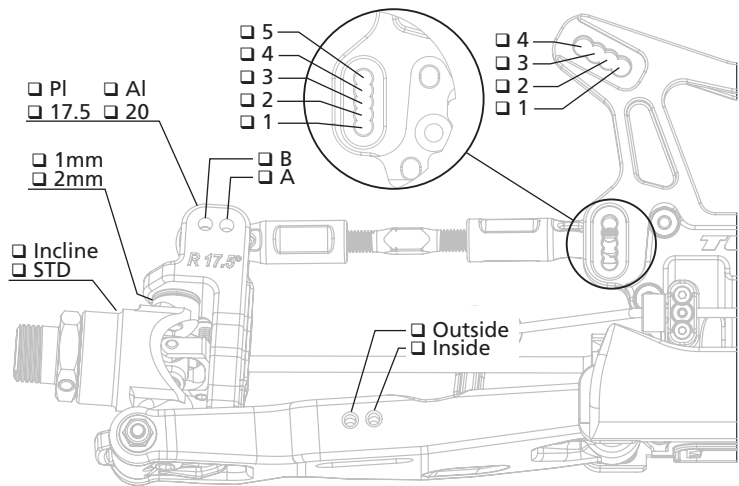
Steering Arm  
 A  
 B

- 3
- 2
- 1



A Block

B Block



- PI
- AI
- 17.5
- 20

- 1mm
- 2mm

- Incline
- STD

- 5
- 4
- 3
- 2
- 1

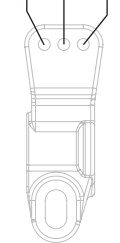
- 4
- 3
- 2
- 1

- Outside
- Inside

**Rear Suspension**

Ride Ht	
Camber	
Sway Bar	
Notes:	

- C
- B
- A



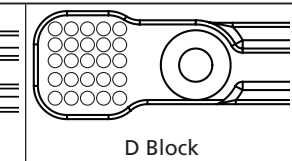
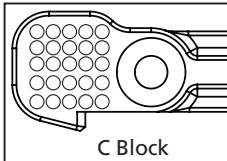
- 0
- 1
- 2
- 3
- 4

- 5
- 4
- 3
- 2
- 1

- 4
- 3
- 2
- 1

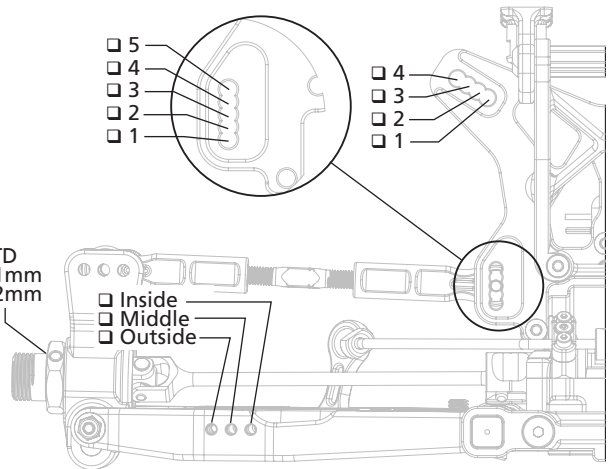
- STD
- +1mm
- +2mm

- Inside
- Middle
- Outside



C Block

D Block



**Chassis**

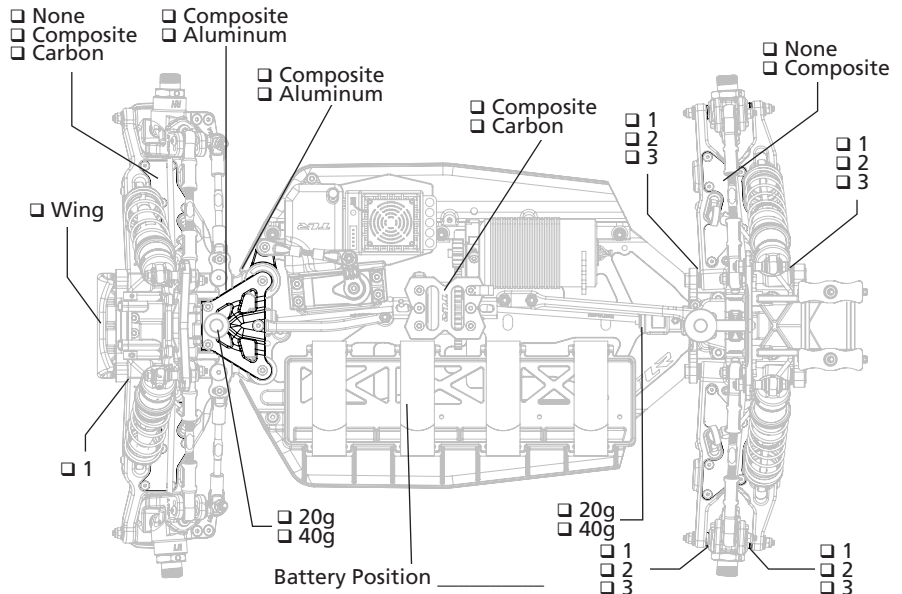
Differentials			
	Front	Center	Rear
Fluid			
Pins	<input type="checkbox"/> AL <input type="checkbox"/> STL	<input type="checkbox"/> AL <input type="checkbox"/> STL	<input type="checkbox"/> AL <input type="checkbox"/> STL
Case	<input type="checkbox"/> STD <input type="checkbox"/> HD	<input type="checkbox"/> STD <input type="checkbox"/> HD	<input type="checkbox"/> STD <input type="checkbox"/> HD

Wing	
Brand	
<input type="checkbox"/> Wicker Bill	
<b>F</b>	

Electronics		
Radio		Servo
ESC		Battery
Motor		Pinion/Spur
Initial Brake		Drag Brake
Thro Prof		Timing Adv
Thro Expo		Steering Expo

Shocks		
	Front	Rear
Shock Type	<input type="checkbox"/> Bladder <input type="checkbox"/> Re Bladder <input type="checkbox"/> Emulsion <input type="checkbox"/> Vented	<input type="checkbox"/> Bladder <input type="checkbox"/> Re Bladder <input type="checkbox"/> Emulsion <input type="checkbox"/> Vented
Shaft Dia	<input type="checkbox"/> 3.5 <input type="checkbox"/> 4.0	<input type="checkbox"/> 3.5 <input type="checkbox"/> 4.0
Piston		
Oil		
Spring		
Stroke		
Droop		

Tires		
	Front	Rear
Brand		
Tread		
Compound		
Insert		
Sauce		



- None
- Composite
- Carbon
- Composite
- Aluminum

- Composite
- Aluminum

- Composite
- Carbon

- None
- Composite

Wing

- 1

- 20g
- 40g

Battery Position \_\_\_\_\_

- 20g
- 40g

- 1
- 2
- 3

- 1
- 2
- 3